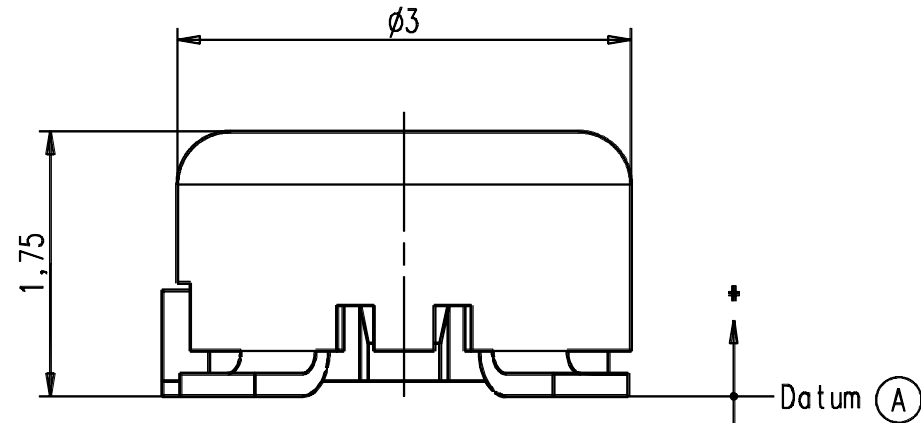
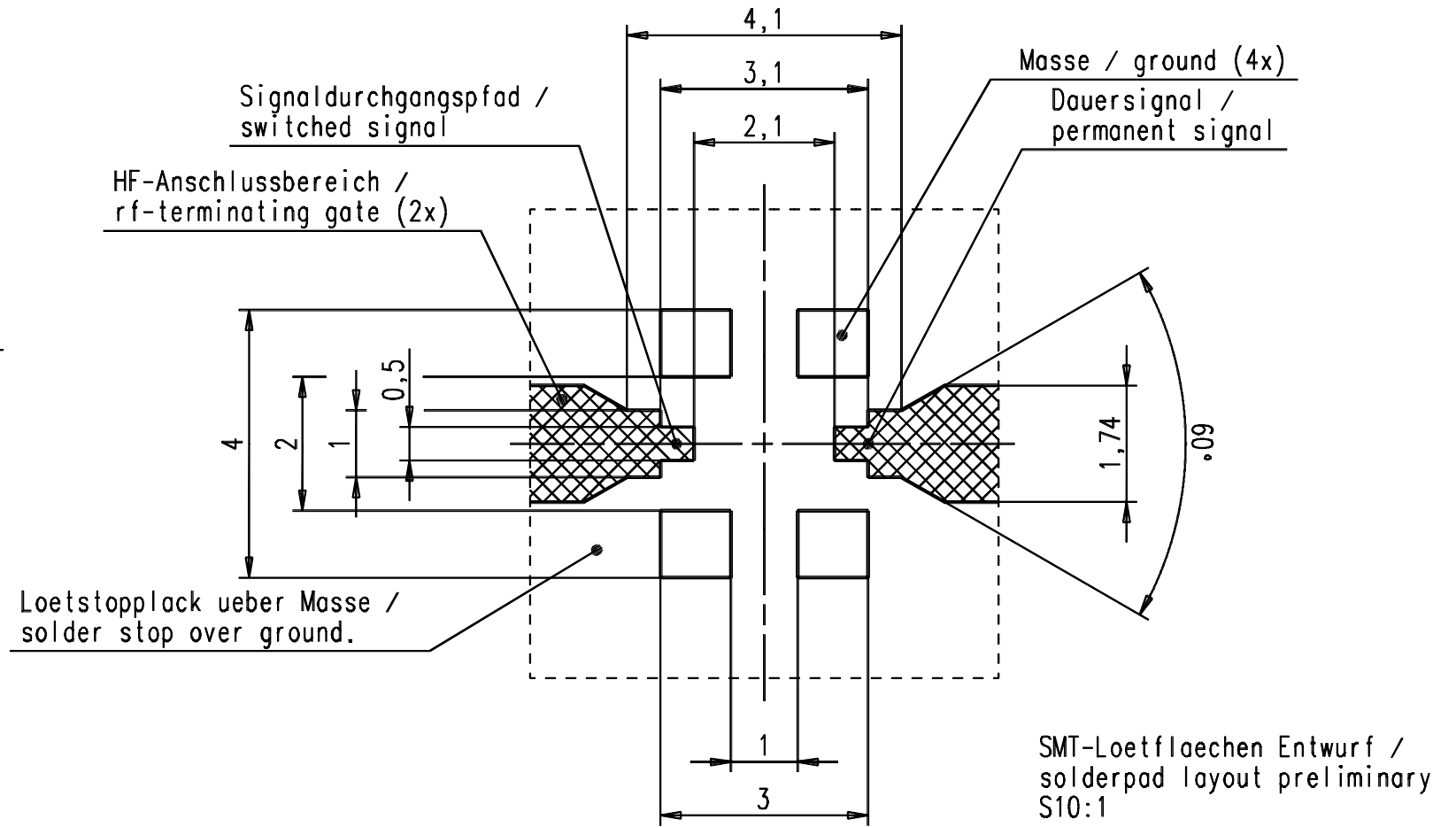
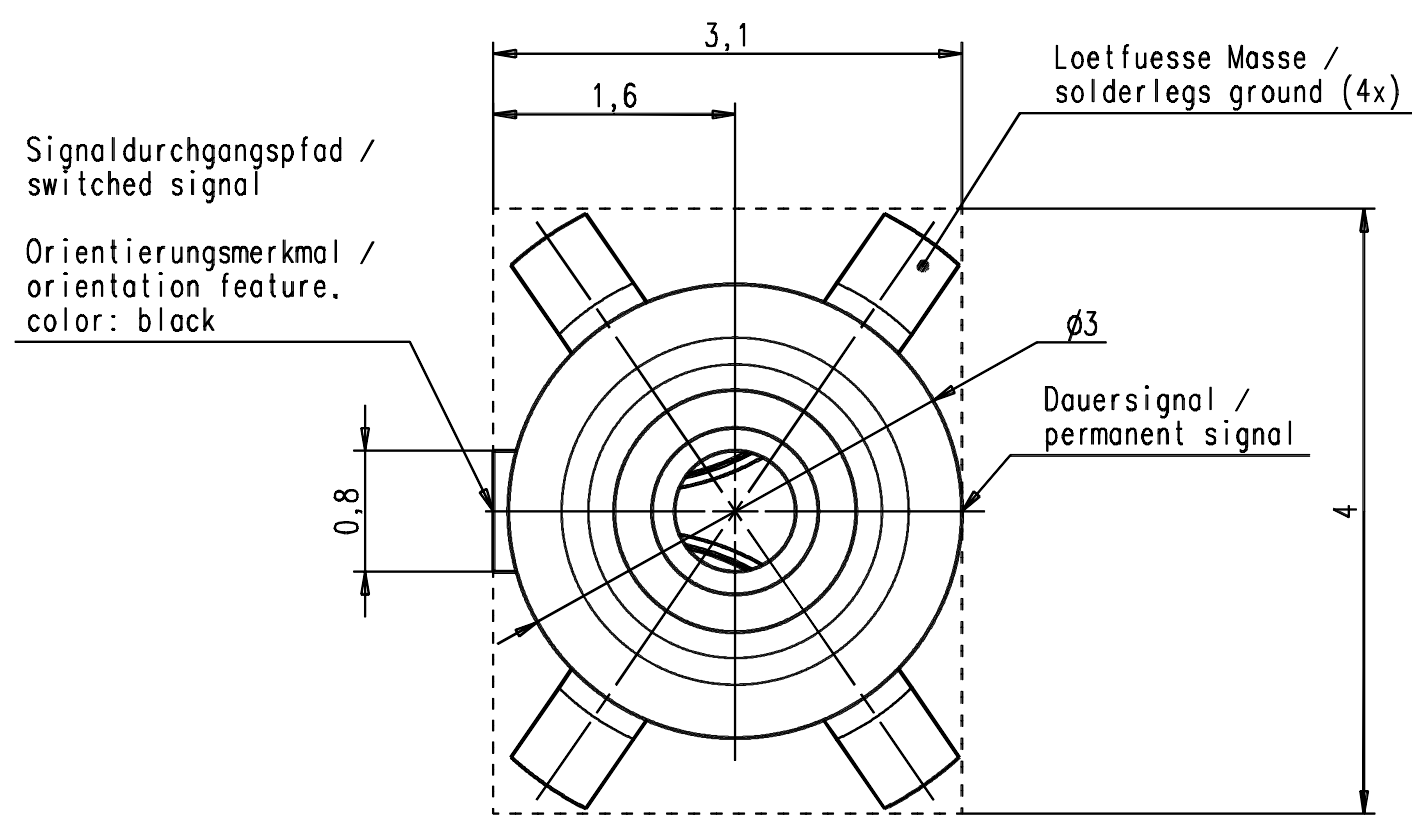
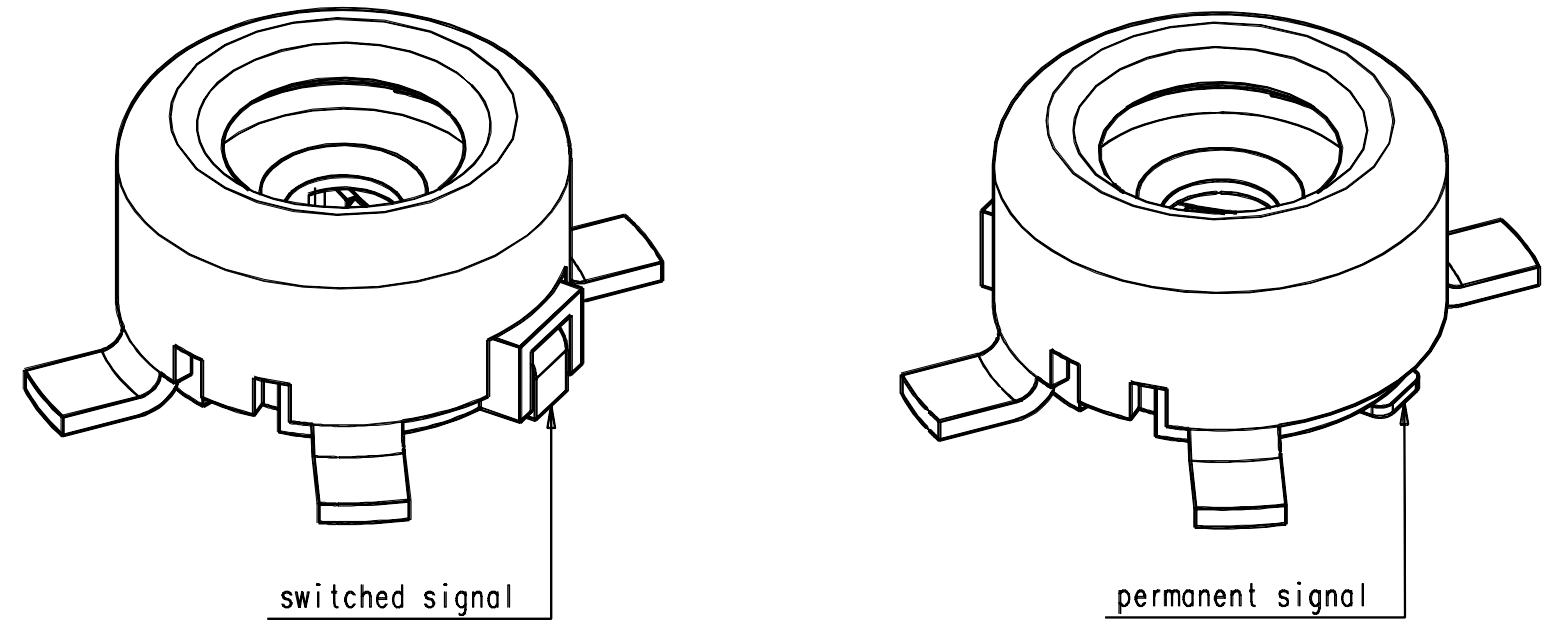


Material und Beschichtung /  
material and plating

Gehäuse/housing	CuZn	Au
Isolierung/insulator	PA46/PPA	Black
Federn/springs	CuBe/Bronze	Au



(A) Datum level is housing bottom.  
Leads (6 pcs) co-planarity -  
must be 0+0,08



SMT-Loetflaechen Entwurf /  
solderpad layout preliminary  
S10:1

Compliance with prohibitions and  
restrictions to EU/EWG/EC and Germany.  
76/769/EWG : YES  
2002/95/EC (RoHS) : YES

				general tolerance	ISO 2768	scale: 20:1	
				ISO 2768	-m-	Assembly instruction:	
				0,5-3: ±0,1	3-6: ±0,1	Stripping dimension:	
				6-30: ±0,2			
				date	name	<b>SMT-Schalter</b> <b>SMT-Switch</b>	
				generate	23.05.05		Zech
				checked			
				Norm			
				45574			
design	0	coplanarity+rohs	18.05.06	ze	<b>3976.99.0030.00'</b>		
nr.	rev.	alteration	date	name			Rev.
						a	