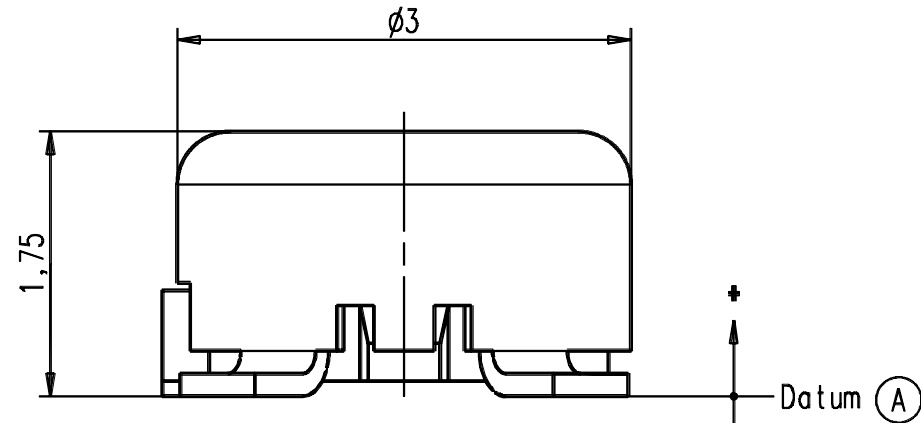
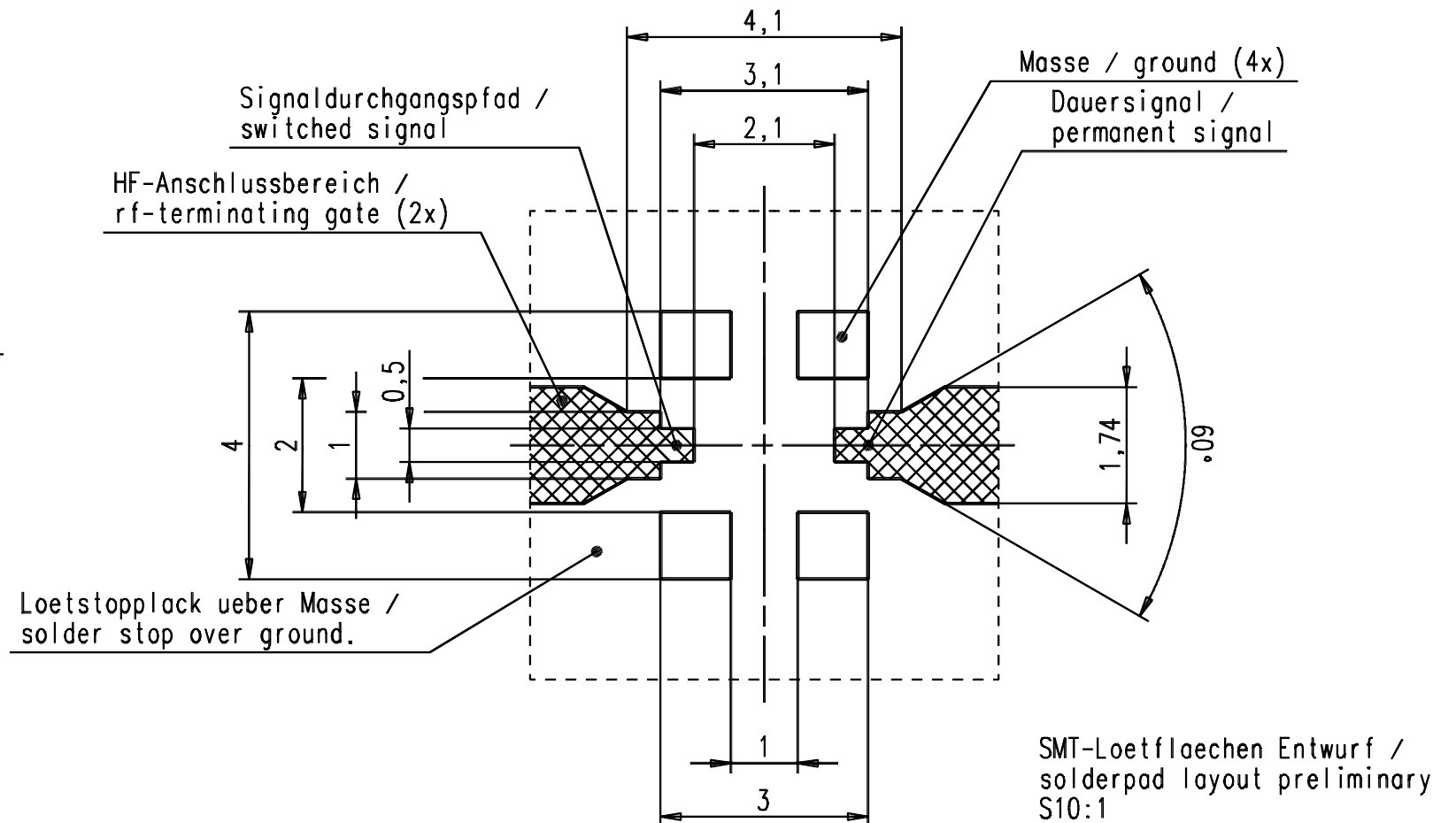
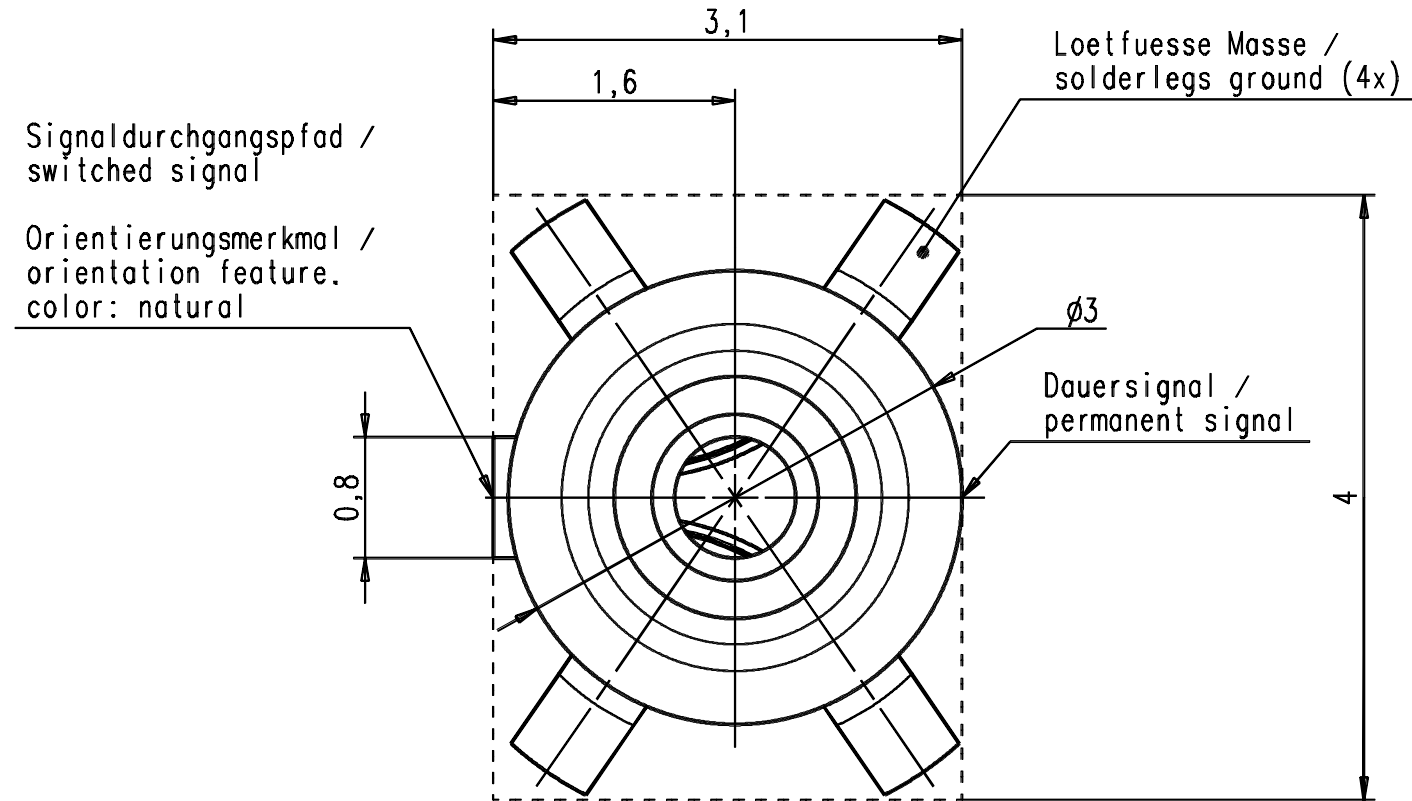
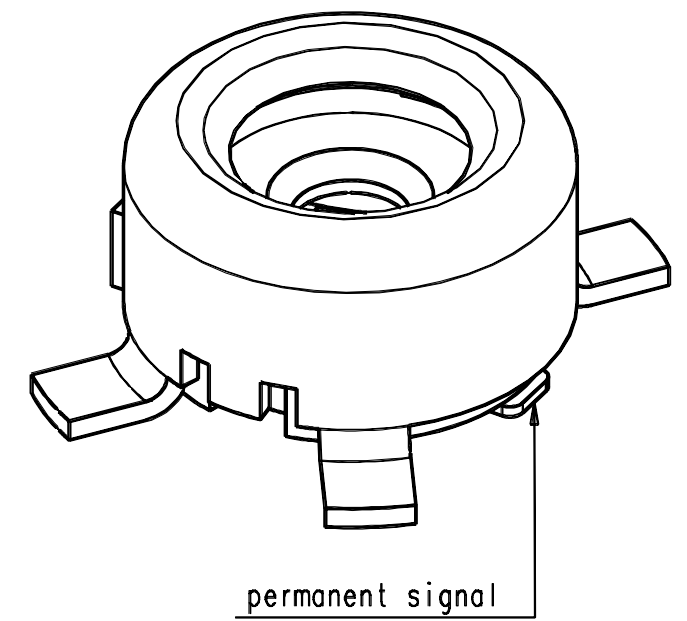
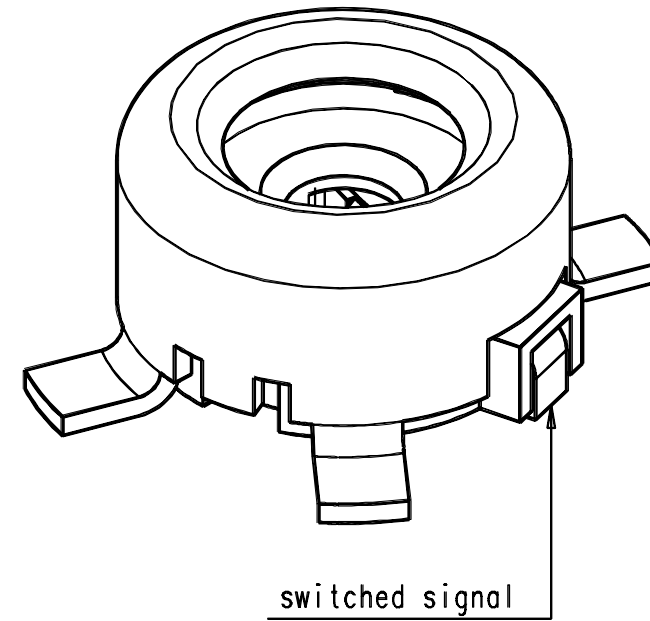


Material und Beschichtung /
material and plating

Gehäuse/housing	CuZn	Au
Isolierung/insulator	PA46/PPA	natural
Federn/springs	CuBe/Bronze	Au



(A) Datum level is housing bottom.
Leads (6 pcs) co-planarity -
must be 0+0,08



SMT-Loetflaechen Entwurf /
solderpad layout preliminary
S10:1

Compliance with prohibitions and
restrictions to EU/EWG/EC and Germany.
76/769/EWG : YES
2002/95/EC (RoHS) : YES

				general tolerance	ISO 2768	scale: 20:1	
				ISO 2768	-m-	Assembly instruction:	
				0,5-3: ±0,1	3-6: ±0,1	Stripping dimension:	
				6-30: ±0,2			
				date	name	SMT-Schalter SMT-Switch	
				generate	16.02.05		Zech
				checked			
				Norm			
				44883			
						3926.99.0030.00'	
design	0	coplanarity+rohs	18.05.06				ze
nr.	rev.	alteration	date	name			