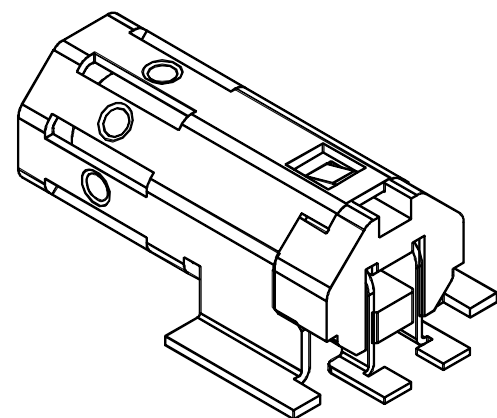
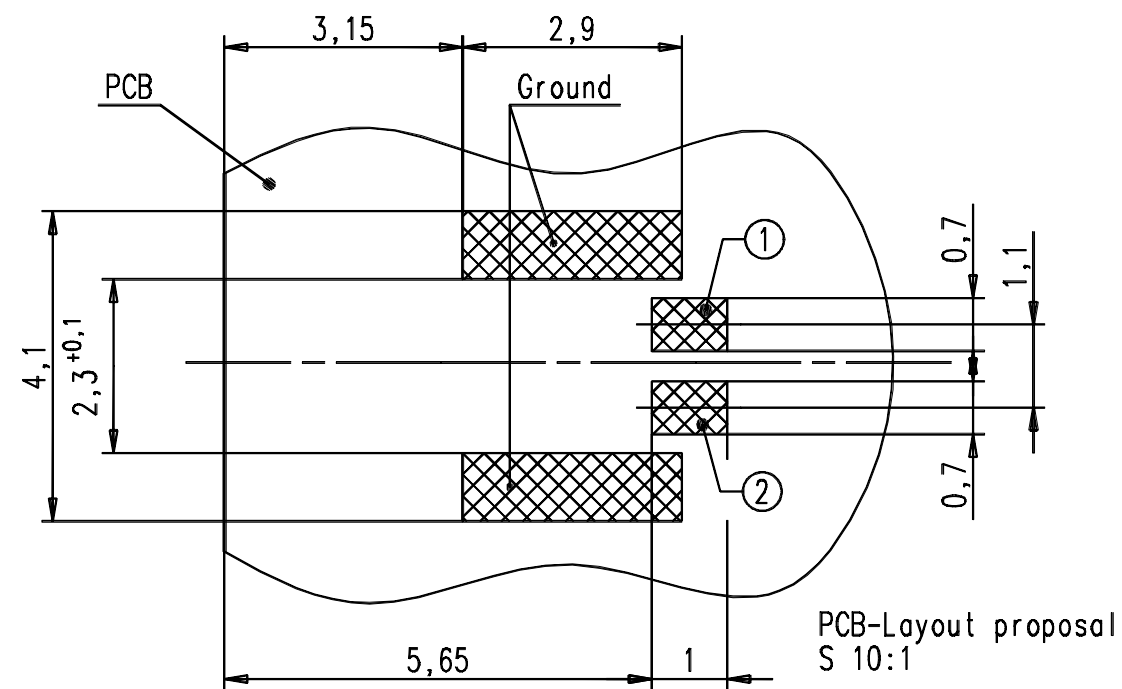
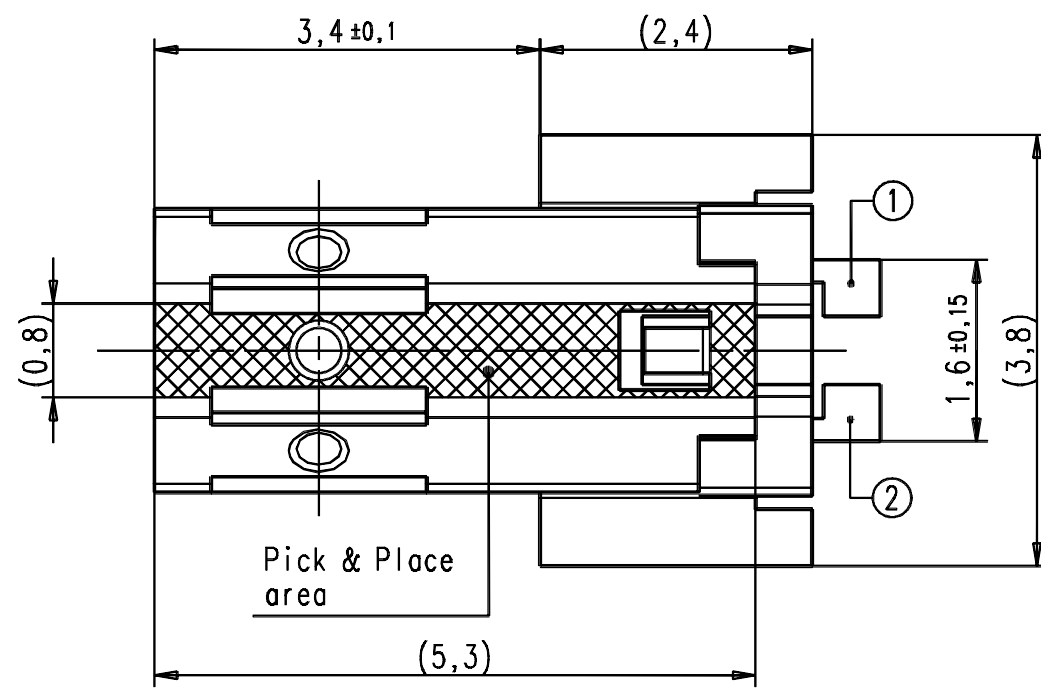
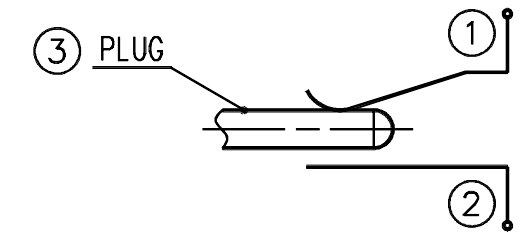


PRINCIPLE

- ① INPUT
- ② OUTPUT INTERNAL ANTENNA
- ③ OUTPUT EXTERNAL ANTENNA



(A) Datum level is housing bottom.
Leads (2 pcs.) co-planarity -
have to 0 +0.10/-0.05

Compliance with prohibitions and
restrictions to EU/EWG/EC and Germany.
76/769/EWG : YES
2002/95/EC (RoHS) : YES

Part	Material	Surface
Housing	CuSn	AuCo 0,2µm
Switch spring	Stainless steel	Au 0,5µm
Stationary spring	CuSn	Au 0,5µm
Insulator	PA46	

IMS CONNECTOR SYSTEMS		general tolerance	ISO 2768	scale: 15:1
nr.	rev.	alteration	date	name
			05.01.04	Zech

Assembly instruction: Stripping dimension:	
Schalter Switch	
3724.99.0030.00'	Rev.