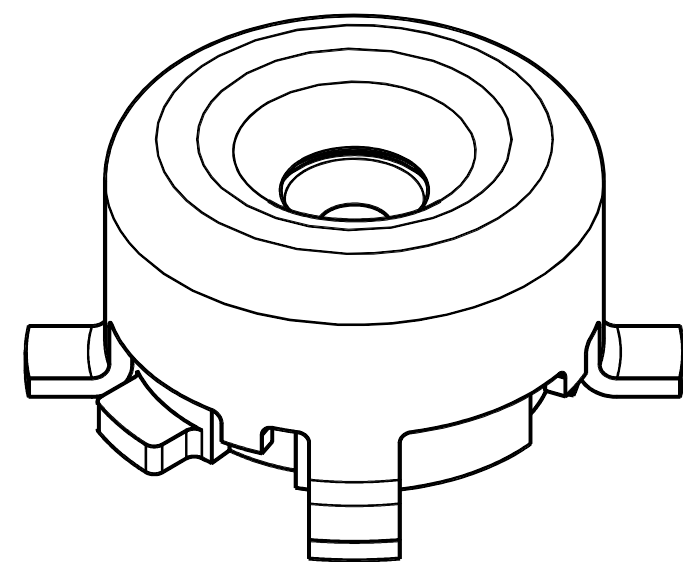


(A) DATUM LEVEL IS HOUSING BOTTOM.
LEADS (6 pcs) CO-PLANARITY -
MUST BE 0+0,10 ◆ SPC.

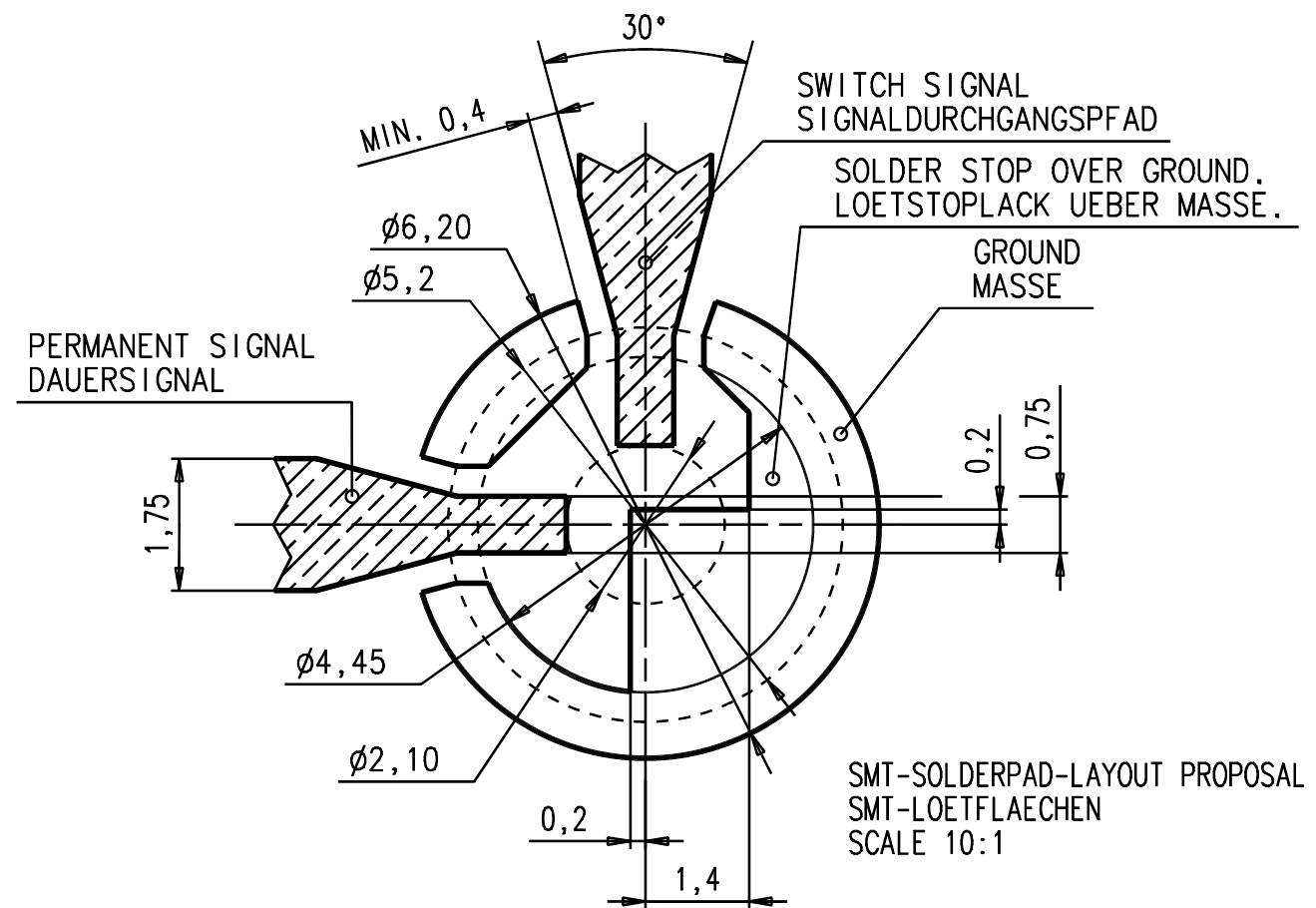
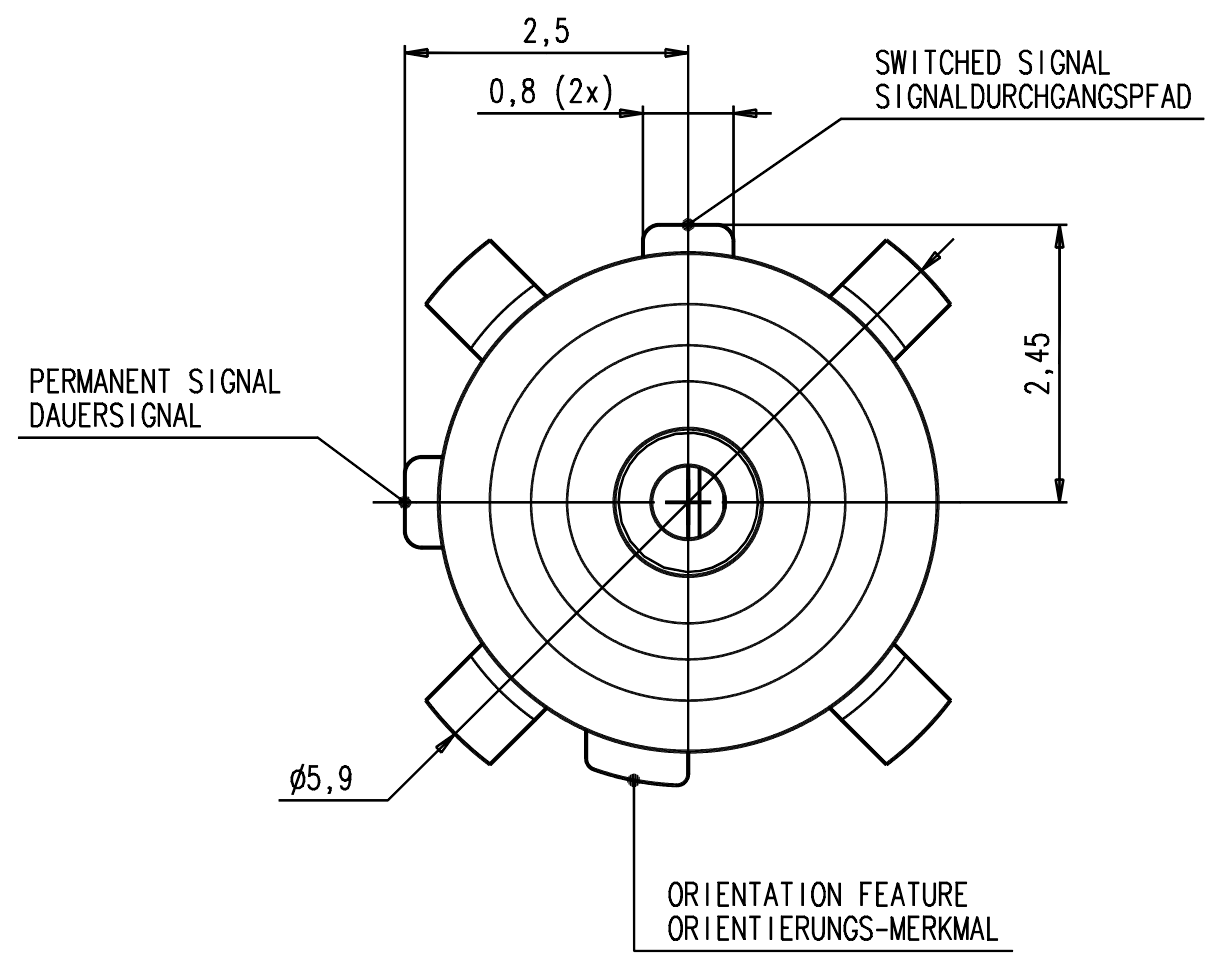
DATUM
◆ SPC (A)

MATERIAL AND PLATING:
HOUSING DIN1791 Au
INSULATOR PA46 BLACK
SPRING CuBe2/CuSn6 Au

MATERIAL UND BESCHICHTUNG:
GEHAEUSE DIN1791 Au
ISOLIERUNG PA46 SCHWARZ
FEDERN CuBe2/CuSn6 Au



TRIMETRIC VIEW
ISO-ANSICHT



SMT-SOLDERPAD-LAYOUT PROPOSAL
SMT-LOETFLAECHE
SCALE 10:1

QP	<input checked="" type="checkbox"/>	TM	PA	<input checked="" type="checkbox"/>	LV	SP			
IMS CONNECTOR SYSTEMS							general tolerance ISO 2768 mH	ISO 2768 -m 0,5-3: ±0,1 3-6: ±0,1 6-30: ±0,2	scale: 15:1 / 10:1
							date	name	Assembly instruction: Stripping dimension:
							generate	20.07.99	Zech
209/03	f	tolerance	13.05.03	ze	checked			SMT-Schalter	
design	e	solderpad new	21.01.00	ze	Norm			SMT-Switch	
design	d	revised	17.12.99	ze	31643				
design	c	revised	10.11.99	ze					
design	b	revised	23.09.99	ze					
design	a	revised	24.08.99	ze					
nr.	rev.	alteration	date	name				2795.99.0030.00'	
								Rev. f	