

STAGE PINS CONNECTOR

20 Amp / 125V Male & Female Inline Connectors



Product Features:

- Electrical Rating : 20 Amp / 125V~250VAC
- Withstanding Voltage : 2 KV
- 2 piece, multi-position strain relief inserts accommodate a full range of wiring configurations
- High-temperature, high impact-resistant thermoplastic housing
- Colored housing available
- 20 Amp contact barrel terminals are included
- Precision slotted and crimped female contacts are sized to provide spring contact, even to damaged pins
- Wire Range : AWG 18~14 x 3Wires , Max. wire guage AWG 8
- Operating Temperature Range : -20°C ~ +85°C
HT Type : -30°C ~ +130°C

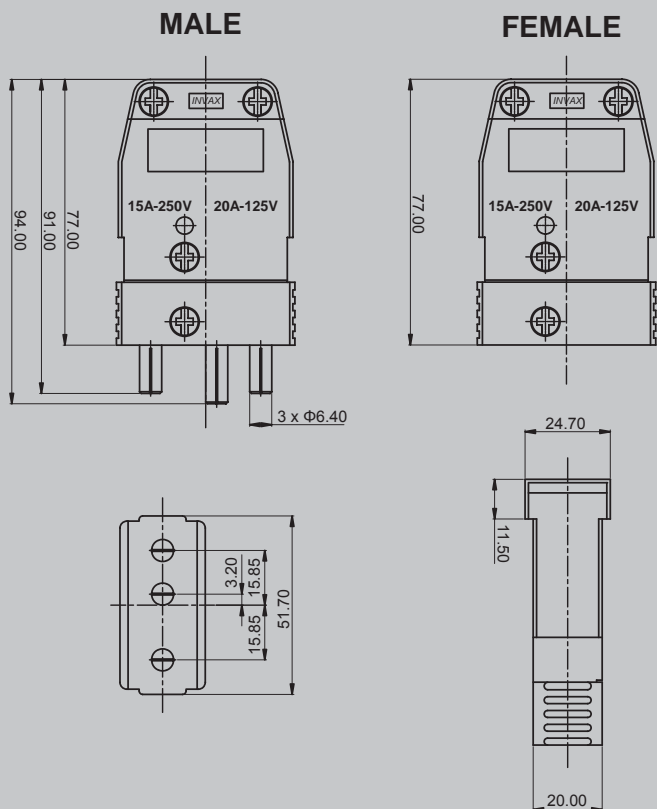
Material :

- Contact Pins & Screws : Brass
- Housing Insulator : Thermoplastic UL94-V0
- Housing Fix Screws : Steel with Nickle plated

* Color Options:

	Black	Red	Yellow	Blue	Green
Male :	3PL- 9221	9223	9225	9227	9229
Female :	3PL- 9220	9222	9224	9226	9228
HT High Temperature Type :	3PL-92xxHT				

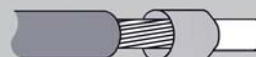
Dimension :



Assembly Instruction :

STAGE PIN 20A / 125V Inline Connector

- REMOVE OUTER JACKET LENGTH 35mm.
- STRIP CONDUCTORS 12mm (DO NOT TIN).
- PLACE WIRE SHOE OVER LOOSE WIRE STRANDS OF EACH CONDUCTOR.



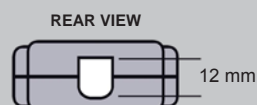
INSERT INTO BARREL OF TERMINAL (GREEN WIRE IN MIDDLE CONTACT) AND TORQUE SCREWS TO 14Kgf-cm

- ATTACH COVER AND SECURE WITH MOUNTING SCREWS. 14Kgf-cm TORQUE.

CORD HOLDING SYSTEM HAS SIX 3 DIFFERENT COMBINATIONS OFFERING OPENINGS FROM 6 mm TO 12 mm TYPICAL USES ARE DEPICTED BELOW.

TYPICAL CORD USE

NO INSERTS.
(AWG 14 X 3 wires)



A INSERT.
(AWG 16 X 3 wires)



B INSERT.
(AWG 18 X 3 wires)

